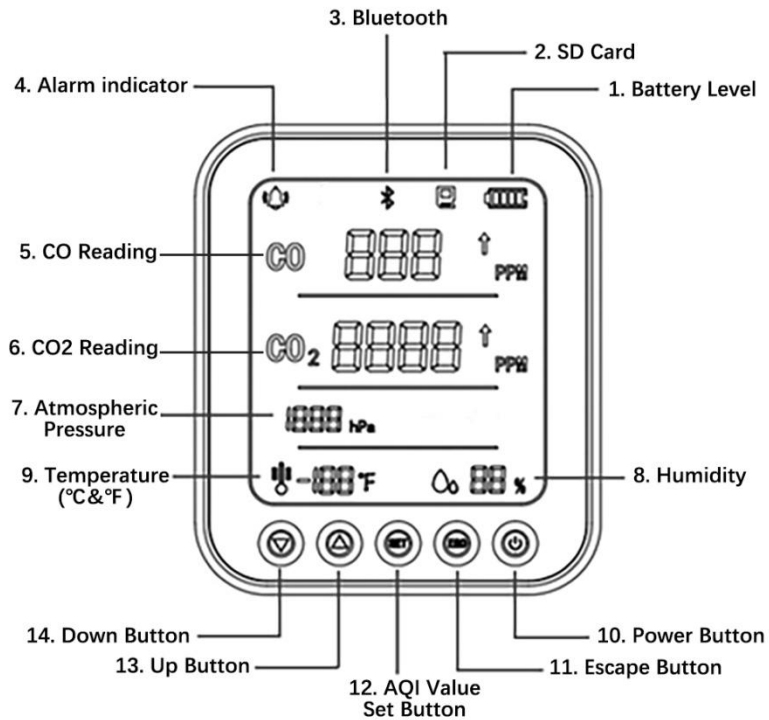


Smart Air Quality Monitor



- | | |
|-------------------------|--------------------------|
| 1. Battery Level | 8. Humidity |
| 2. SD Card | 9. Temperature (°C&°F) |
| 3. Bluetooth | 10. Power Button |
| 4. Alarm Indicator | 11. Escape Button |
| 5. CO Reading | 12. AQI Value Set Button |
| 6. CO2 Reading | 13. Up Button |
| 7. Atmospheric Pressure | 14. Down Button |

Product Specification

Model Name: PT04

CO2 Measurement Range: 400-5000PPM Resolution: 1PPM

CO2 Measurement Accuracy: ±50ppm or ±5% of reading

CO Measurement Range: 0-1000PPM Resolution: 1PPM

CO Measurement Accuracy: ±10ppm or ±5% of reading

Temperature Measurement Range: -10~60°C; ±2°C

Humidity Measurement Range: 5%~95%; ±5%

Atmospheric Pressure Range: 300-1100hPa

Relative Accuracy (950-1050hPa@ 25°C): ±0.12hPa

Absolute Accuracy (950-1050hPa@0- 40°C): ±1hPa

Sound Level: 85dB (3M)

Working Temperature: 0 °C-50 °C

Working humidity: 0-95% (non-condensing)

Input Voltage: DC 5V/ 2A

Built-in Battery Capacity: 3200mAh

Dimension: 110*90*40 mm

Weight: 370g

Product Operation

1. Power Device On or Off:

Long press the "Power" button to turn on or turn off the device.

2. Turn Bluetooth On or Off:

Press the "Power" button 3 times in a row to turn on Bluetooth. (To turn off Bluetooth, press the "Power" button 3 times again.)

3. Switch the temperature display between Fahrenheit and Celsius:

- I. Long press the "Power" button to switch it on.
- II. Press the "Power" button two times in a row.

4. Alarm Silence/Mute/Unmute function:

When CO2 or CO reaches the alarm threshold, the device will start to alarm, while the alarm icon keeps flashing until the values are down to the Alarm-shutdown threshold. Or you can choose to:

- I. Press the "Power" button 1 time to silence the current alarm.
- II. Long Press "ESC" to mute the alarm, and the alarm icon will be disappeared from the screen. (Device will be silent sustainably)
- III. Long Press the "ESC" button to unmute the alarm, and the alarm icon will be displayed on the screen.

5. Manual CO2 Calibration setting:

- I. Press the "ESC" button 3 times in succession.
- II. The CO2 Logo will blink on the screen during the manual calibration.
- III. It takes 3 minutes to complete the calibration. (You can press the "ESC" button to cancel the manual calibration)

***Note: Please place the unit in a ventilated environment during the manual calibration.**

6. Backlight adjustment:

- I. Press the "Set" button one time to turn on the backlight.
- II. Press the "Set" button once again to turn off the backlight.

7. CO2/CO Alarm Description:

- I. When the CO2 reading reaches 1000 ppm, the alarm icon will flash. When the CO2 level is above 1500 ppm, the buzzer sounds for 2 minutes. (The alarm sound will turn off after 2 minutes. Or it will silence when the CO2 reading is below 1000 ppm.)
- II. When the CO reading reaches 9 ppm, the alarm icon will flash. When the CO level is above 25 ppm, the buzzer sounds for 6 minutes. (The alarm sound will turn off after 6 minutes. Or it will silence when the CO reading is below 25 ppm.)

*Press the 'ESC' button 5 times in succession to resume the factory alarm setting.

8. How to set the alarm values of CO2/CO on device:

- I. Long press the "SET" button to enter the alarm setting interface.
- II. Press the "UP" button to increase the alarm threshold of CO and press the "Down" button to decrease the alarm threshold.
- III. Press the "SET" button 1 time to move to the next alarm setting. (The setting order is: CO low alarm threshold > CO high alarm threshold > CO2 low alarm threshold > CO2 high alarm threshold)
- IV. Long press the "SET" button to save the setting and exit.

*Press the "ESC" button 1 time to exit the setting interface without saving. It will automatically exit without saving if there are no operations for 30 seconds.

***CO2 Threshold Values setting range: 700ppm-5000ppm**

***CO Threshold Values setting range: 1ppm-999ppm**

NOTE

1. To ensure the accuracy of the detection, it needs to be turned on and standing for 24 hours in a ventilated environment when you use this model for the first time.
2. SD card data logger will obtain the data time once your model connects Tuya app by Bluetooth. Or press the 'UP' button to gain the data time If your version is without Bluetooth.
3. To ensure your device's service life, please do not leave the product in an air-poor-quality environment for a long time.
4. Do not place the product in an extreme environment such as high temperature or low temperature. This product does not protect against thunder, lightning, and rain. Please use it in a normal environment.

WARNING

1. The device is equipped with a lithium battery. Do NOT leave your device alone in vehicles or airplanes.
2. Do NOT put it in an environment with a temperature exceeding 50 degrees.
3. Please keep the unit unreachable for children and babies.
4. Please don't dismantle, modify, heating the product.
5. Avoid falling or heavy hitting.
6. Do NOT touch any part of the product with wet hands.
7. Do NOT allow the metal objects (like pins, and keys) in contact with terminals or plugs.
8. Do NOT cut, damage, or modify the power cord.
9. Knocking, impacting, or disassembling the product may cause the detection to be inaccurate. Please keep it properly.



Tuya operation

Step 1: Download Smart Tuya App

Step 2: Turn on the Bluetooth of your phone

Step 3: Long press the power button. The Bluetooth will automatically turn on (The Bluetooth icon is displayed on the screen).

If the Bluetooth icon is not displayed on the screen, press the "Power" button 3 times in succession, and the Bluetooth icon will be displayed. (Press the power button 3 times again, and the Bluetooth will turn off.)

Step 4: Open the smart Tuya APP to add a device.

Remark: If you want to connect to another phone or reset the connection, just press the power button 5 times in succession to reset the device and start the new connection process.

